

auto electrical parts

Technical Information Sheet

Part No. 0-237-06

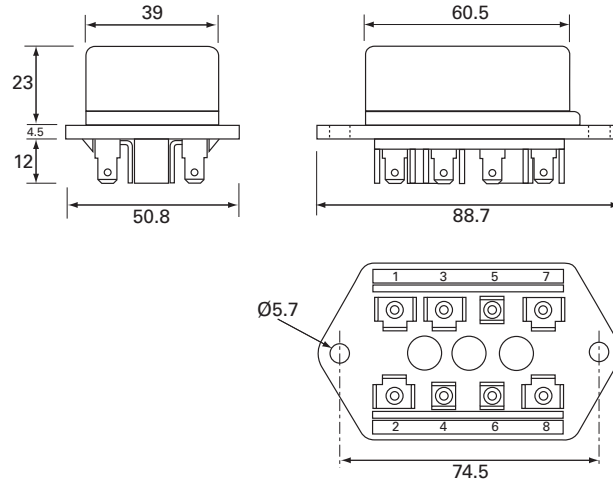
Fuse box, 4 way, for 29mm glass fuses with storage for 2 spare fuses. Through panel mounting, 6.3mm blade terminals. Supplied without fuses. Replaces 6FJ, 37409 and 37564.

Additional information

To replace 37409, terminals 1 and 3 should be bridged.
To replace 37564, terminals 5 and 7 should be bridged.



Technical Drawing (not to scale)



Specification

Type	Through panel mounting fuse box
Application	12 and 24 volt
Terminals	Brass, 17.5A lucar blade, 6.3mm
Fuse retaining clips	Copper
Fuses	29 to 32mm x 6.3mm flat ended glass fuses
Dimensions	See diagram
Weight	65g

The information contained in this document is correct to the best of our knowledge at the time of printing. However, specifications may change at any time without notice.